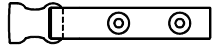


SIZE	PART NUMBER
X-SMALL	SH311XS

TO COMPLETE YOUR PART NUMBER, SELECT THE END-FITTING OPTION BELOW:

**WITH GROMMETED TOP STRAP**



-B1



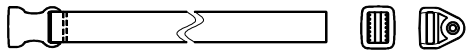
FLAT-MOUNT END FITTING 2x  
HKA1-R-1

-B2



CINCH-MOUNT END FITTING 2x  
HKA2-R-1

**WITH PLAIN WEBBING TOP STRAP**



-C2-B1

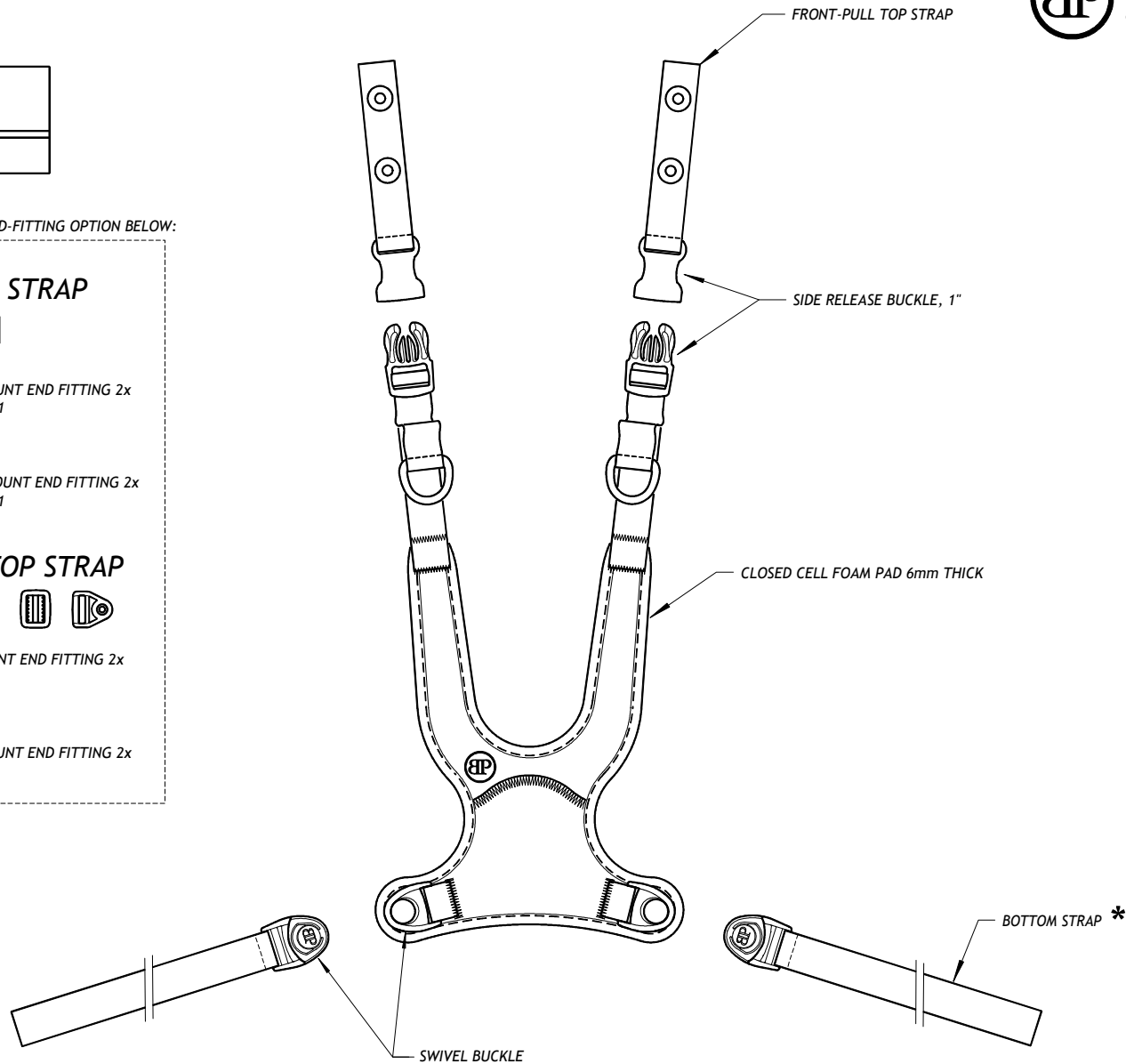


FLAT-MOUNT END FITTING 2x  
HKA1-R-1

-C2-B2



CINCH-MOUNT END FITTING 2x  
HKA2-R-1



SHEET 1 of 2

note

REPLACEMENT BOTTOM STRAP * FOR ALL STAYFLEX SIZES		
SH303XL	FITS BODYPOINT SWIVEL BUCKLE ALL STAYFLEX SOLD AFTER FALL 2013	62cm (24-1/2") LONG

description

STAYFLEX™ CHEST SUPPORT, FRONT-PULL, X-SMALL, TECHNICAL SPECS

drawing no.

D11-0831-31

date originated

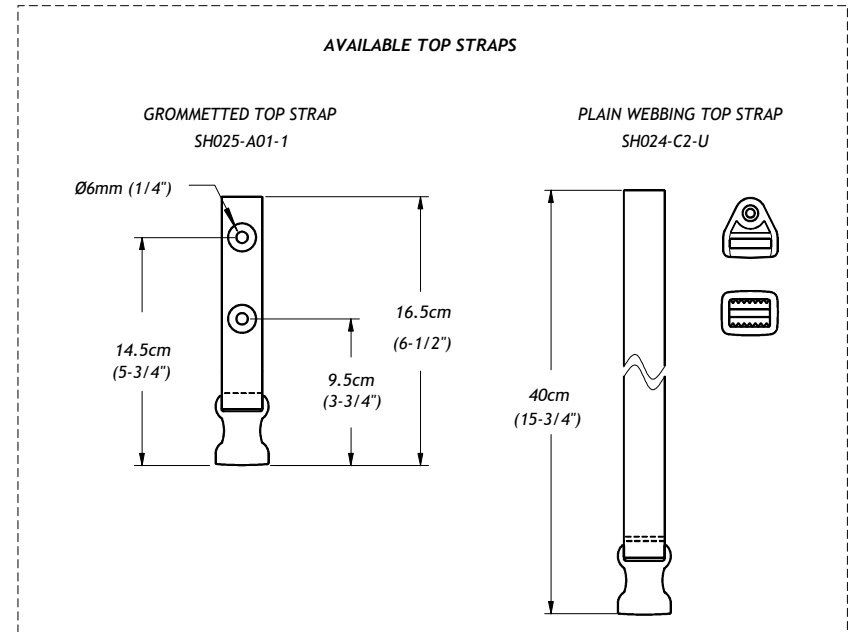
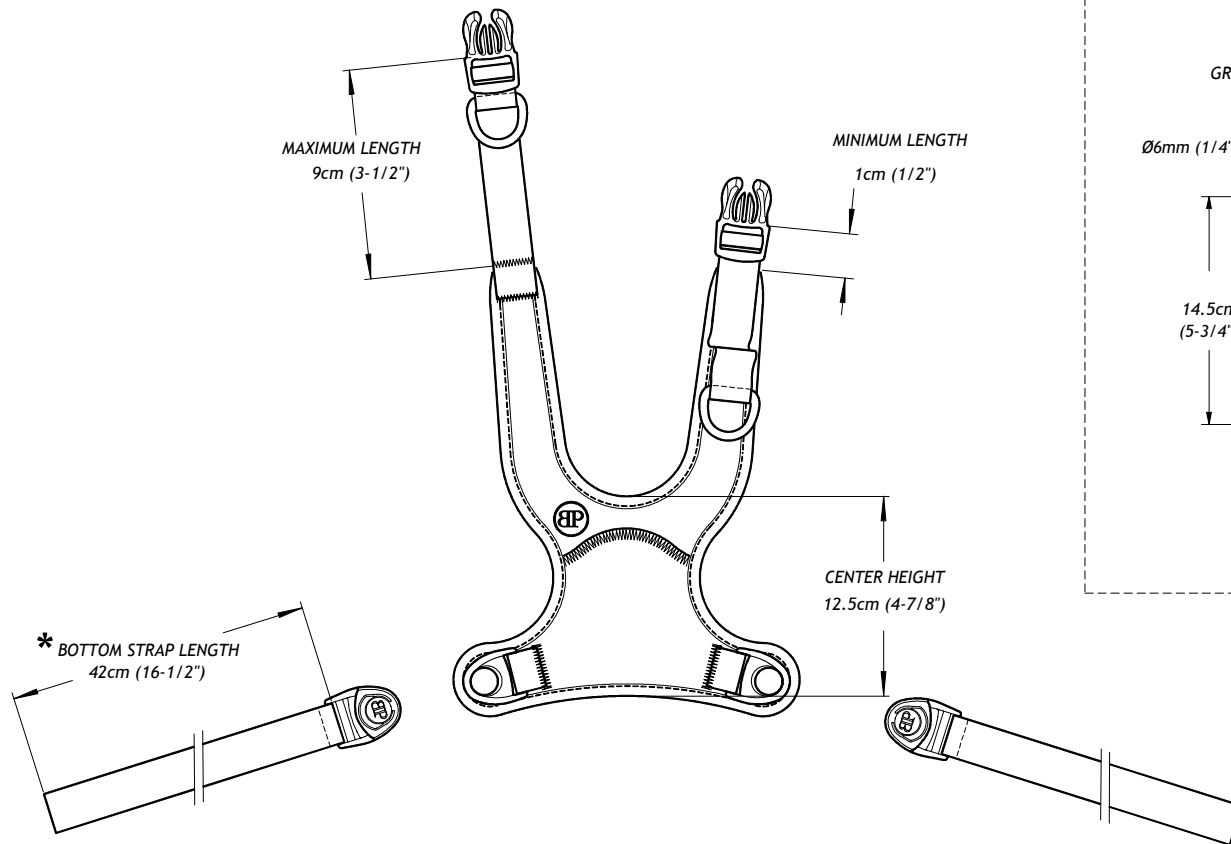
8/31/2011

drawn by

D. HAGAN

rev.

F



SHEET 2 of 2

note

description

STAYFLEX™ CHEST SUPPORT, FRONT-PULL, X-SMALL, TECHNICAL SPECS

drawing no.

D11-0831-31

date originated

8/31/2011

drawn by

D. HAGAN

rev.

**F**